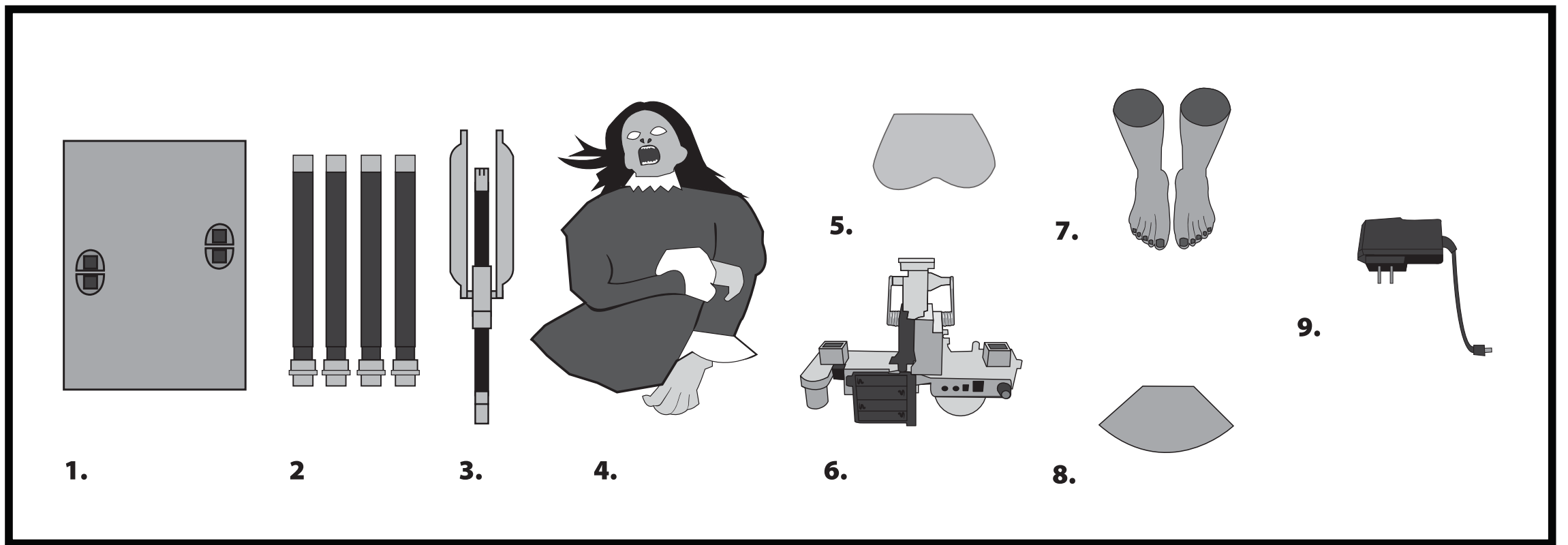


BROKEN GIRL

INSTALLATION AND OPERATING INSTRUCTIONS

KEEP ALL PLASTIC AND WIRE PARTS AWAY FROM CHILDREN

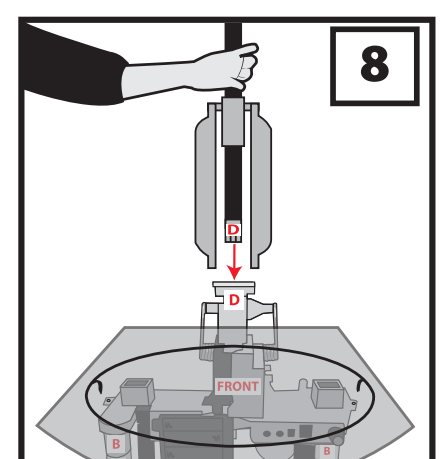
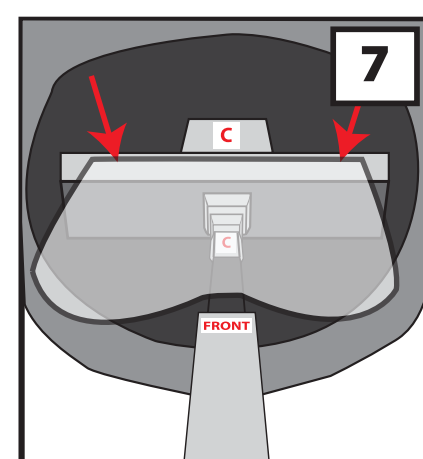
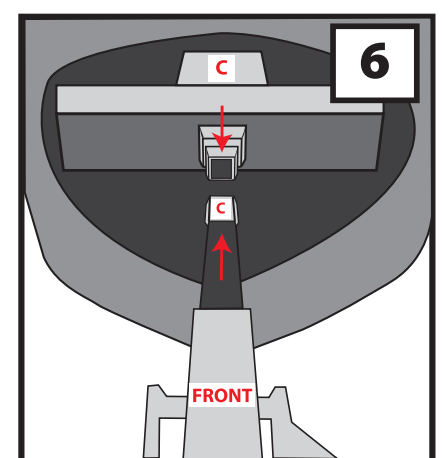
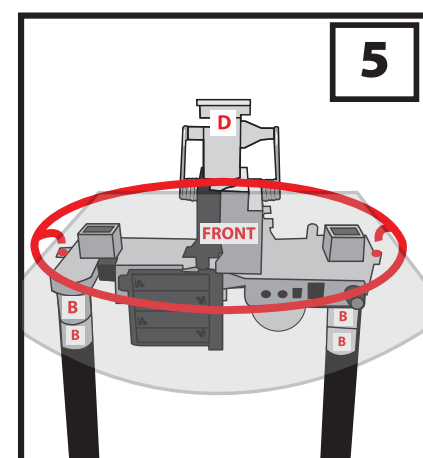
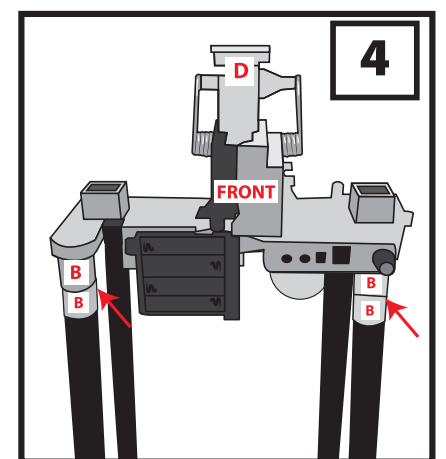
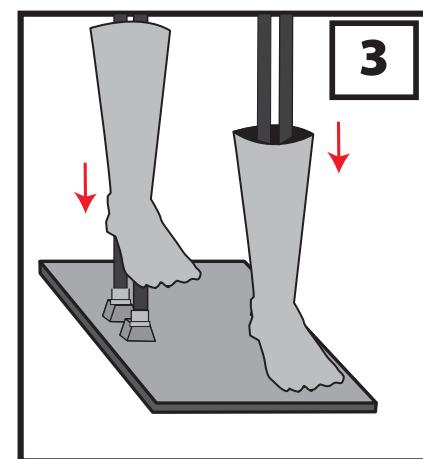
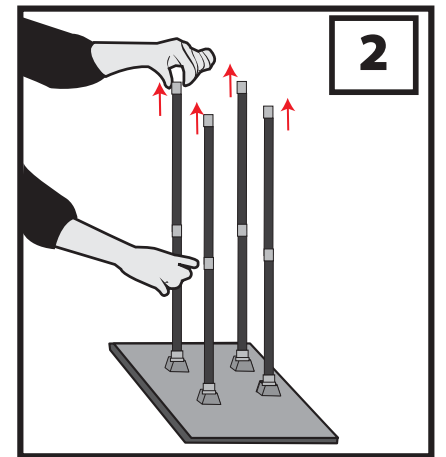
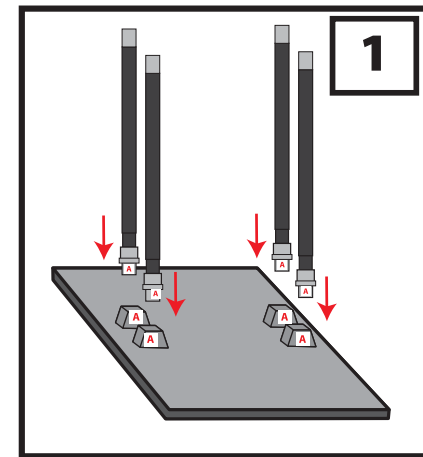


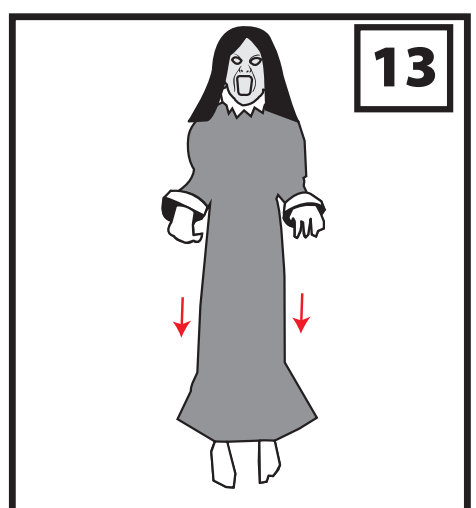
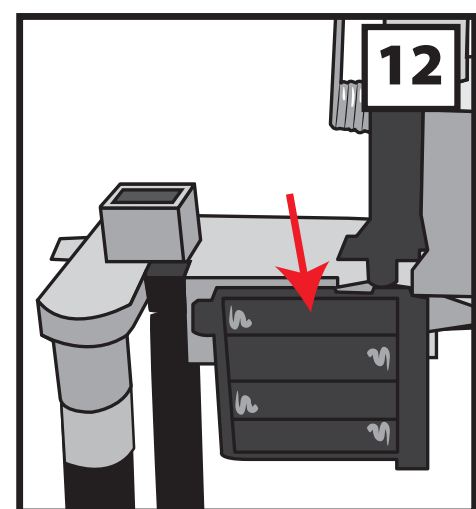
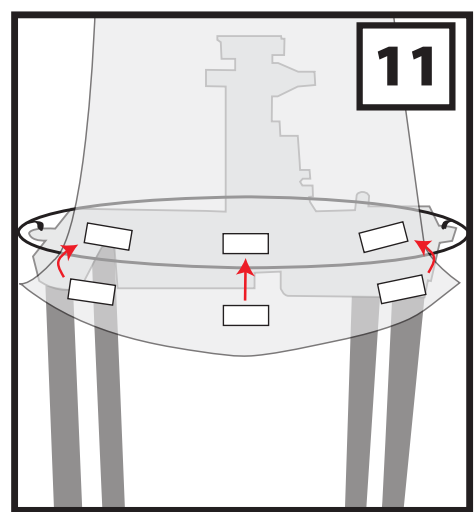
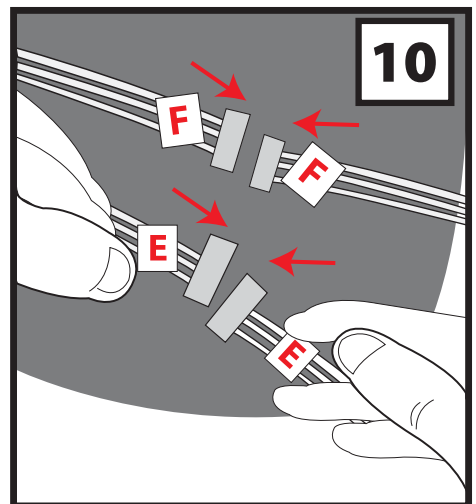
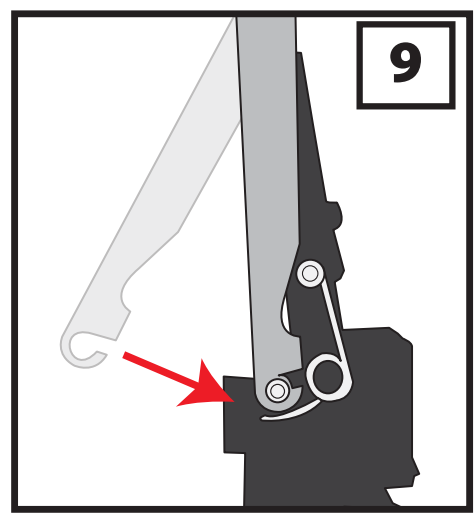
PARTS

1. WOODEN BASE
2. TELESCOPING METAL POLES
3. METAL POLE WITH PLASTIC HOOKS
4. UPPER BODY
5. BLISTER CHEST
6. MODULE
7. FEET
8. WAIST BRACKET
9. ADAPTER

1. Attach the **TELESCOPING METAL POLES** to the **WOODEN BASE (Match A to A)**.
2. Holding the four **TELESCOPING METAL POLES** near the base, extend the poles upwards with your other hand until all four poles are locked into place. The poles are fully extended when you hear two audible clicks.
3. Slide **FEET** over the **METAL POLES** that are connected to the **WOODEN BASE**.
4. Snap lock the **MODULE** to the **METAL POLES. (Match B to B)**
Note: The module labeled "front" will be pointing the same way as the front of the feet.
5. Attach the **WAIST BRACKET** to holes on both sides of the **MODULE**.
6. Snap lock the **METAL POLE WITH PLASTIC HOOKS** to **UPPER BODY. (Match C to C)**
Note: The pole labeled "front" should be pointing the same way as the face.
7. With the shirt lifted up, attach **BLISTER CHEST** using hook and loop fasteners to front portion of the **UPPER BODY**.
8. Snap lock the **UPPER BODY** to the **MODULE. (Match D to D)**
Note: The **UPPER BODY** should be pointing the same way as the feet.

IMPORTANT: Hold the top of the **METAL POLE WITH PLASTIC HOOKS** to prevent the item from falling backwards when securing upper body to **MODULE**. Proceed immediately to Step 9.





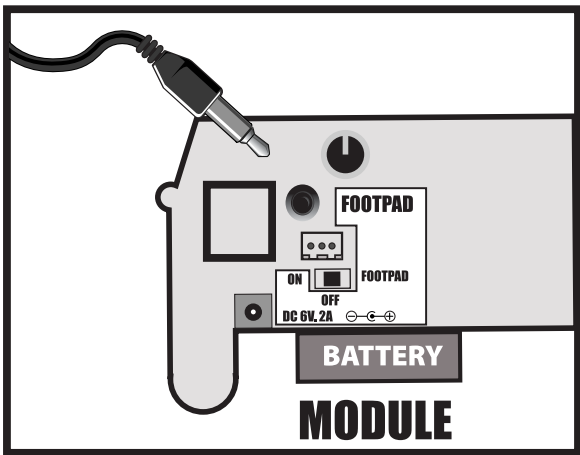
9. Holding the top of the METAL POLE WITH **PLASTIC HOOKS** secure left and right **PLASTIC HOOKS** on **METAL POLE** to left and right fasteners on **MODULE**.
10. Connect the cables located under clothes to the cables coming from **MODULE**. (Match E to E, F to F).
11. Pull the inner white fabric down to **WAIST BRACKET** and secure three hook and loop fasteners around the **WAIST BRACKET**.
12. Insert 4 AA batteries(not included) into the battery compartment or connect **6V 2A ADAPTER** (Included).

Note: Turn switch on top of **MODULE** to ON to operate in sound activation mode. Leave switch in OFF position when not in use.

Optional Footpad Setup

Follow Steps 1 through 12 on initial installation first.

1. Connect the cable from the optional footpad to the jack labeled FOOTPAD located on the module.
2. Place the switch on the base into the 'FOOTPAD' position to enable FOOTPAD activation.
3. Step on FOOTPAD to activate the scary sequence. (go to instruction # 13 to continue setup)



*Footpads are sold separately and can be purchased at www.tekkytoys.com

13. Pull down dress and adjust clothing for "un"life - like appearance .

IMPORTANT: DO NOT BEND OR RE-POSITION WIRE ARMS. KEEP IN ORIGINAL "L" SHAPE FOR ITEM TO OPERATE CORRECTLY.

14. Adjust sound with **VOLUME CONTROL KNOB** located on the **MODULE** as needed.

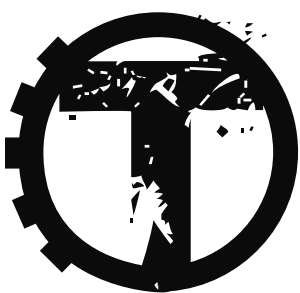
SMART PHONE SCAN SETUP VIDEO





Warning! This item is not a toy. For decoration only. Small parts, choking hazard.
This product is intended for use by persons 15 years of age and older.
Not intended for use by children ages 14 years and younger.

WARNING
DO NOT TURN ITEM ON UNTIL YOU HAVE COMPLETELY FINISHED ASSEMBLY.
STAY CLEAR OF ITEM WHILE OPERATING.
DO NOT PLACE ITEM ON UNEVEN GROUND.
DO NOT PLACE WEIGHT ON ITEM WHILE IN OPERATION



TEKKY

VISIT US AT TEKKYTOYS.COM

Surface Washable Only.
ALL NEW MATERIALS : METAL,
WOOD, PLASTIC, POLYESTER,
POLYESTER FIBER, FOAM
Requires 4 'AA' Batteries
or 6V 2A DC adapter (included)
BROKEN GIRL is a
trademark of Tekky Toys.
Copyright © 2014 Tekky Toys.
All Rights Reserved.
MADE IN CHINA



DO NOT RETURN THIS ITEM TO THE STORE!

If experiencing technical difficulties, please go to www.tekkytoys.com for assistance.

Tekky Toys Hours of Operation: Monday - Friday 9am to 5pm CST
T: 708-478-8424 E: support@tekkytoys.com
visit us: tekkytoys.com