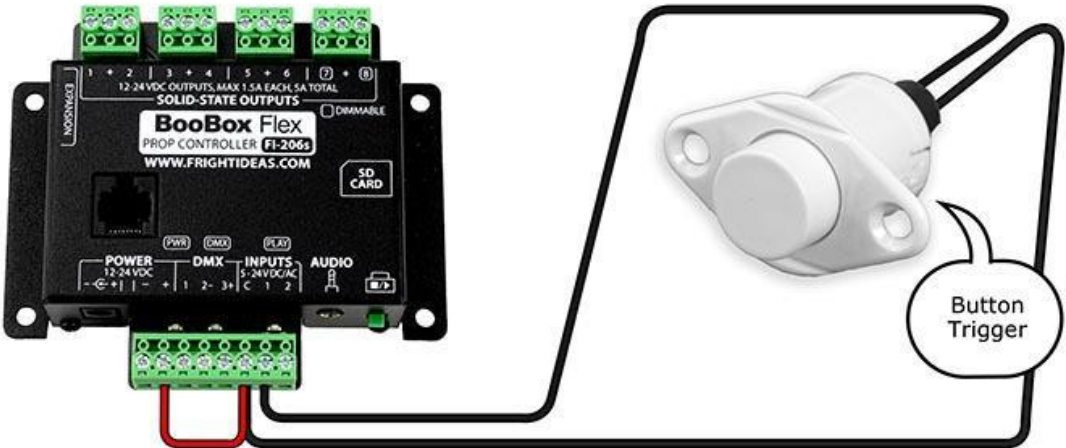


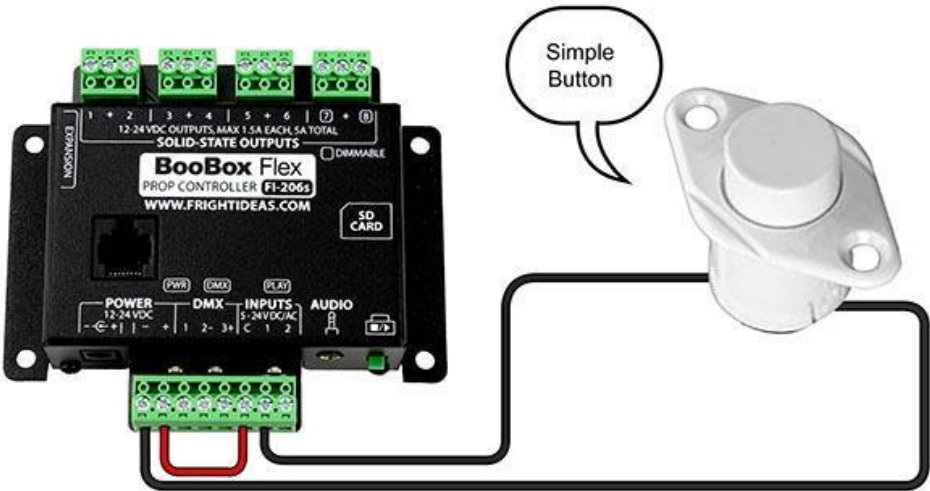
This document provides wiring diagrams for some of the unique triggers we offer. Please refer to the product manual for common trigger (such as step mat, motion sensor, etc) wiring. Links to the triggers mentioned in this document can be found at the bottom.



ACTIVATING A BOOBOX FROM A SIMPLE BUTTON PROP TRIGGER

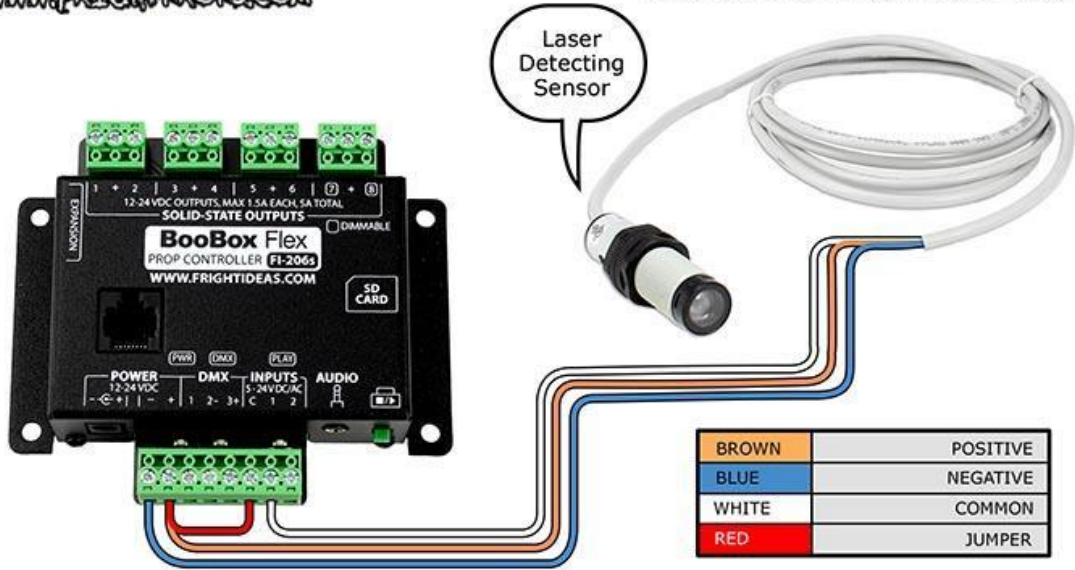


ACTIVATING A BOOBOX FROM A SIMPLE BUTTON TRIGGER

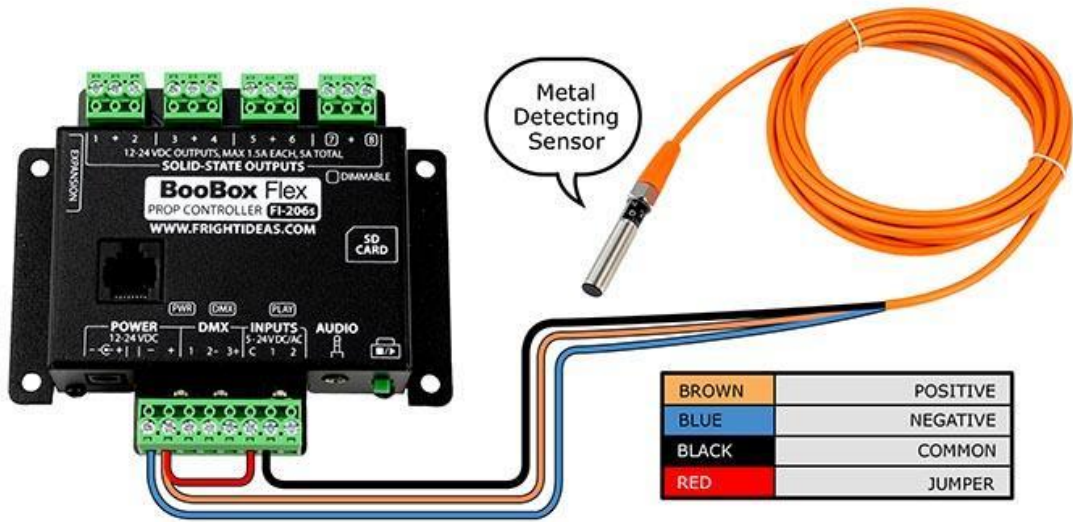




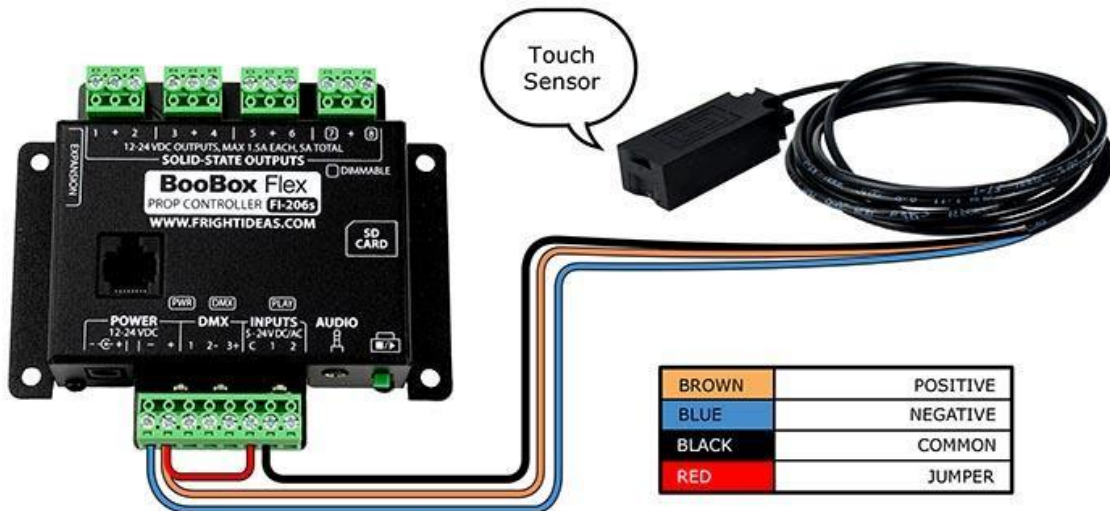
ACTIVATING A BOOBOX FROM A LASER DETECTING SENSOR



ACTIVATING A BOOBOX FROM A METAL DETECTING SENSOR



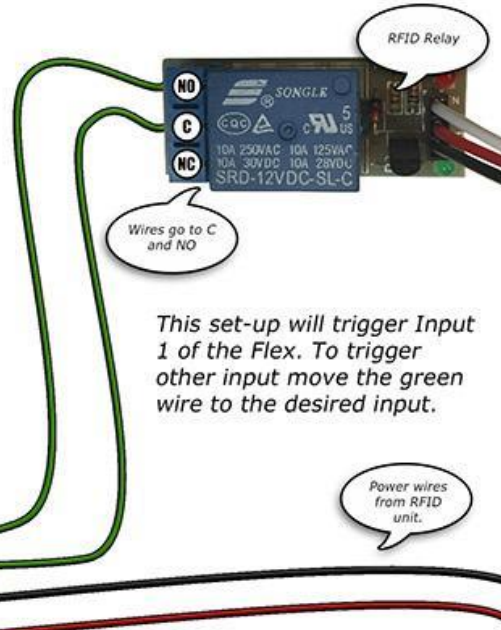
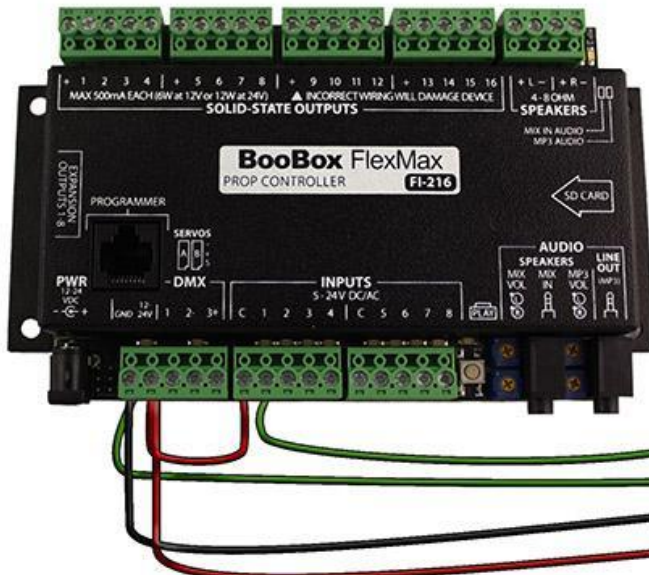
ACTIVATING A BOOBOX FROM A TOUCH SENSOR





WWW.FRIGHTPROPS.COM

ACTIVATING A BOOBOX FROM AN RFID RELAY



This set-up will trigger Input 1 of the Flex. To trigger other input move the green wire to the desired input.



ACTIVATING A BOOBOX FROM A 3' DIFFUSED BEAM SENSOR



BROWN	POSITIVE
BLUE	NEGATIVE
BLACK	COMMON
RED	JUMPER



HOW TO WIRE A HAND TRIGGER TO THE BOOBOX FLEX

