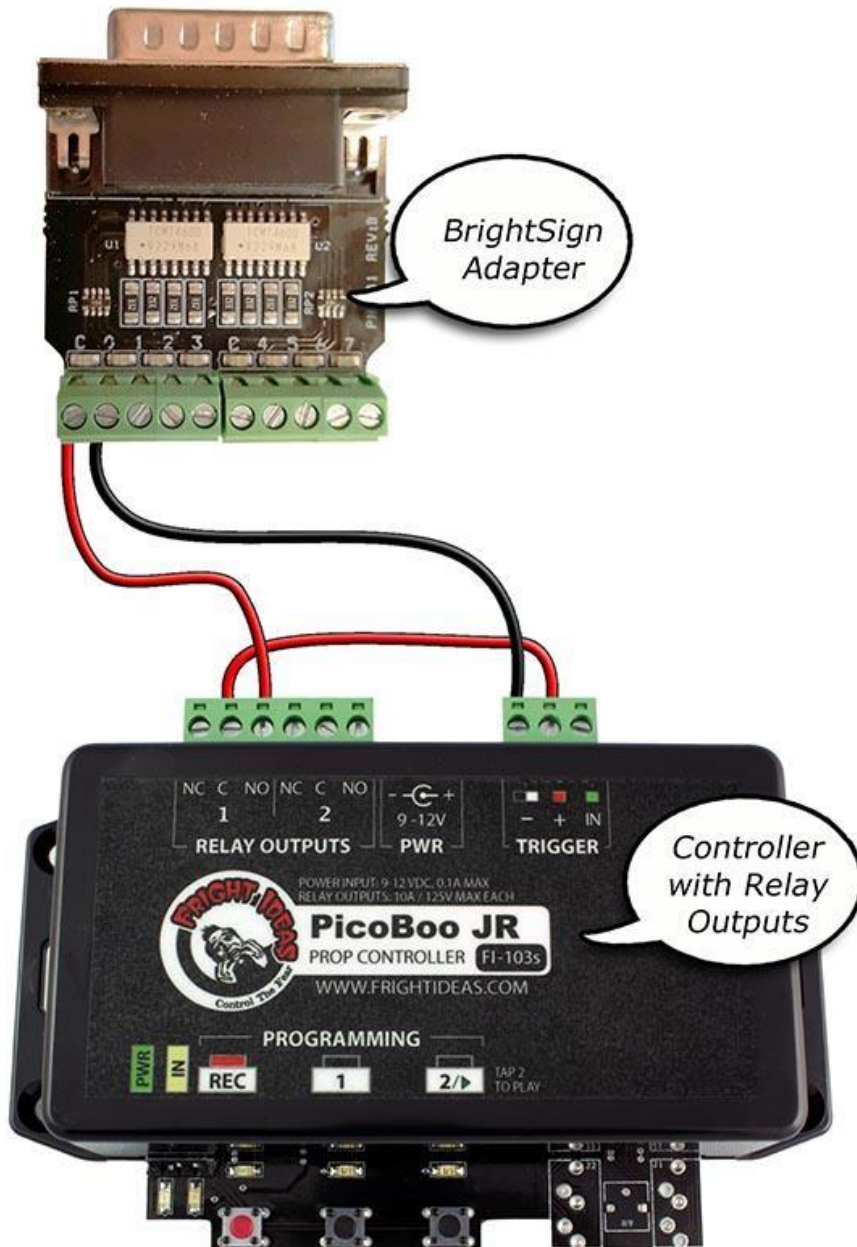


**Please Note: The BrightSign LS422 has been discontinued and is no longer available. We now sell the BrightSign HD223 which does not require the input adapter shown in this document.**

Activating the BrightSign LS422 Digital Video Player from a trigger (such as motion sensor) or controller requires the optional Input Adapter. The diagrams on this page illustrate how to wire into that adapter.

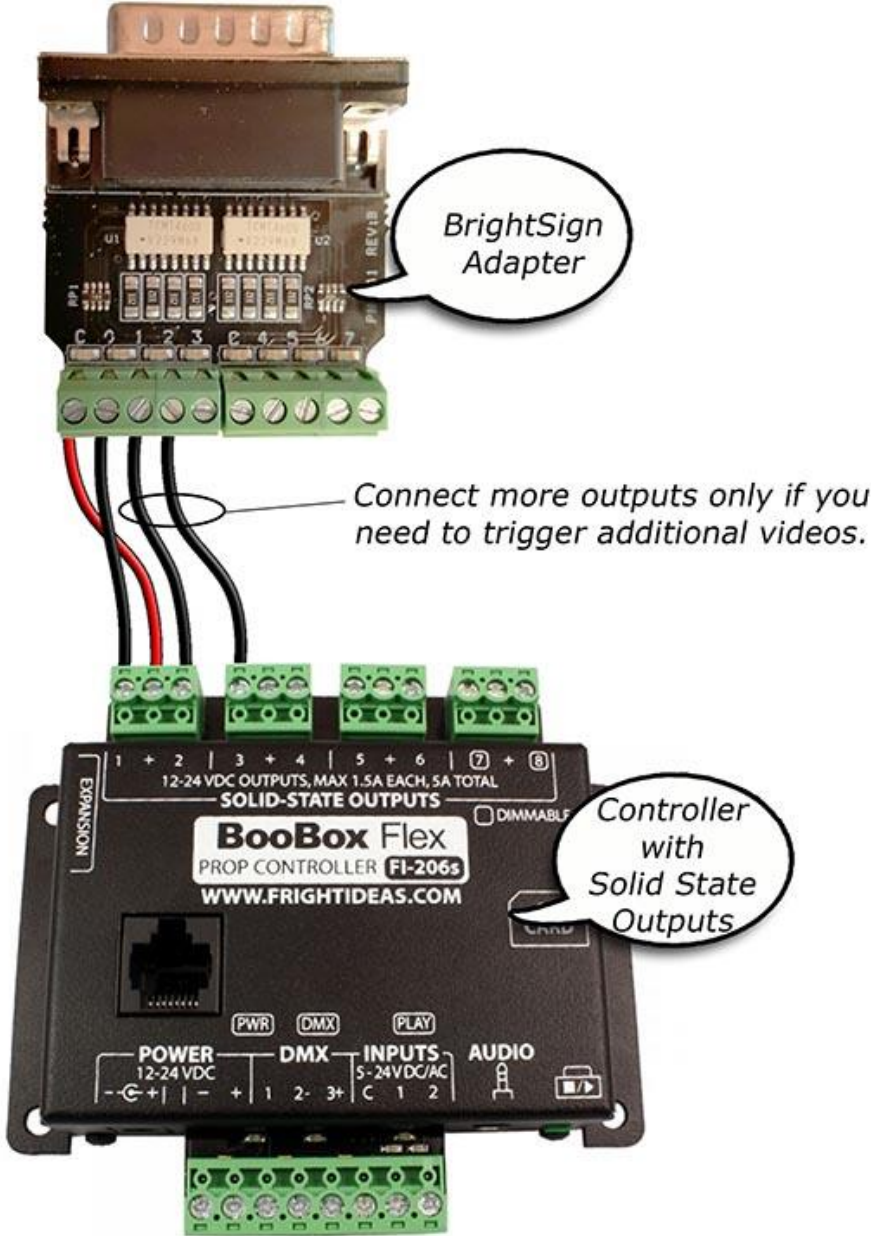
## TRIGGERING FROM A RELAY OUTPUT

(All PicoBoos except PicoBoo One)

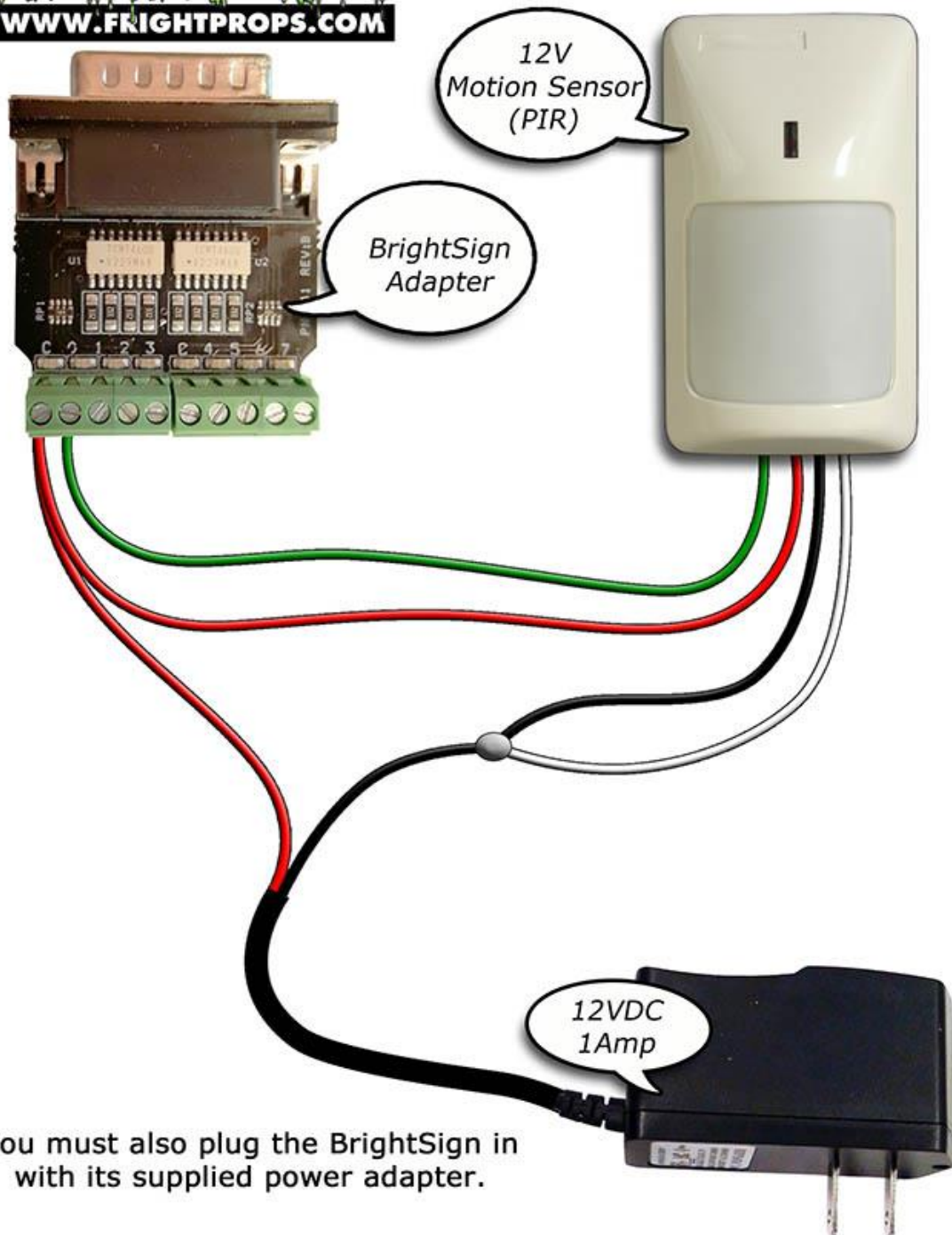


# TRIGGERING FROM A SOLID STATE OUTPUT

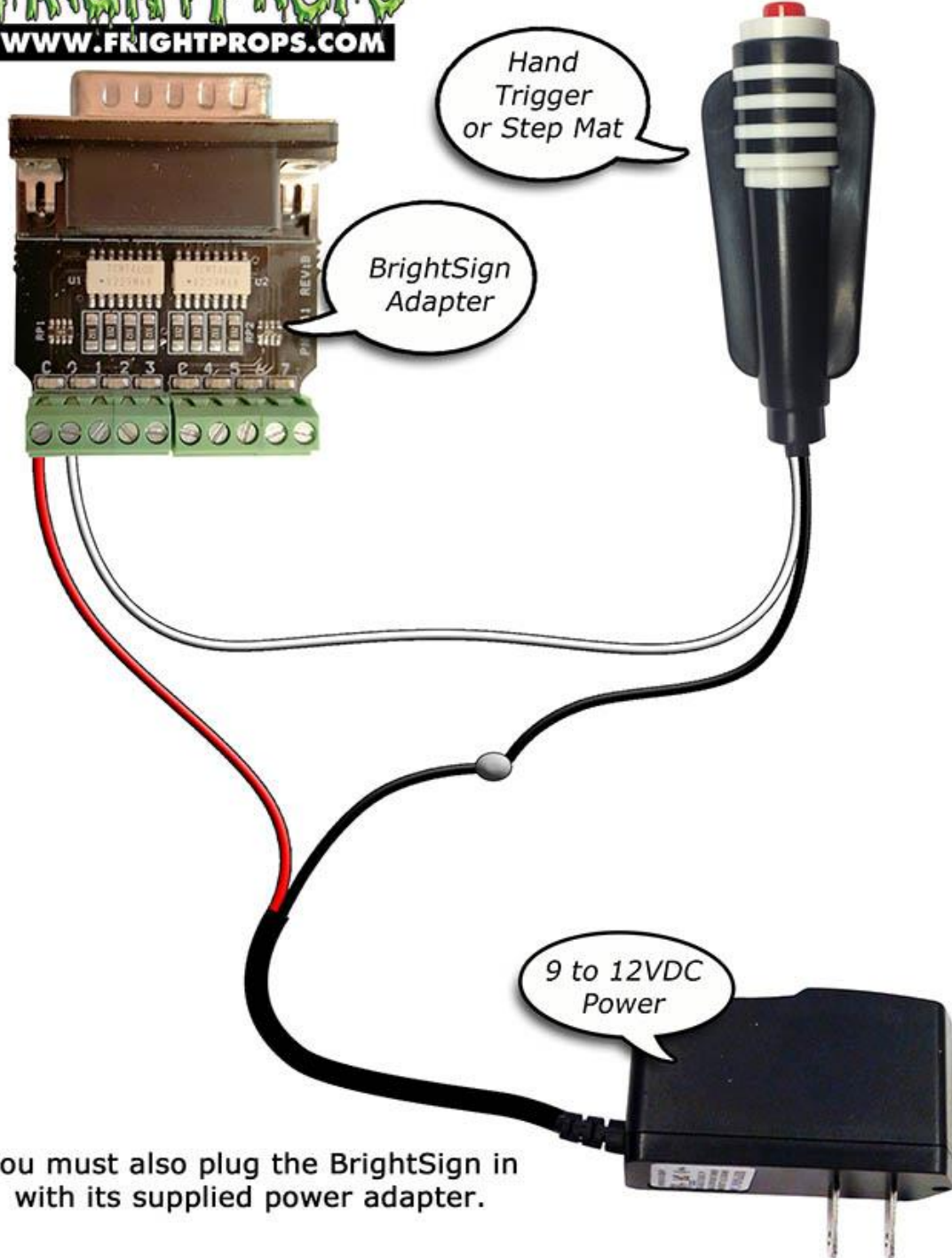
(BooBox Flex / FlexMax / PicoBoo One)



Motion Sensor (PIR)

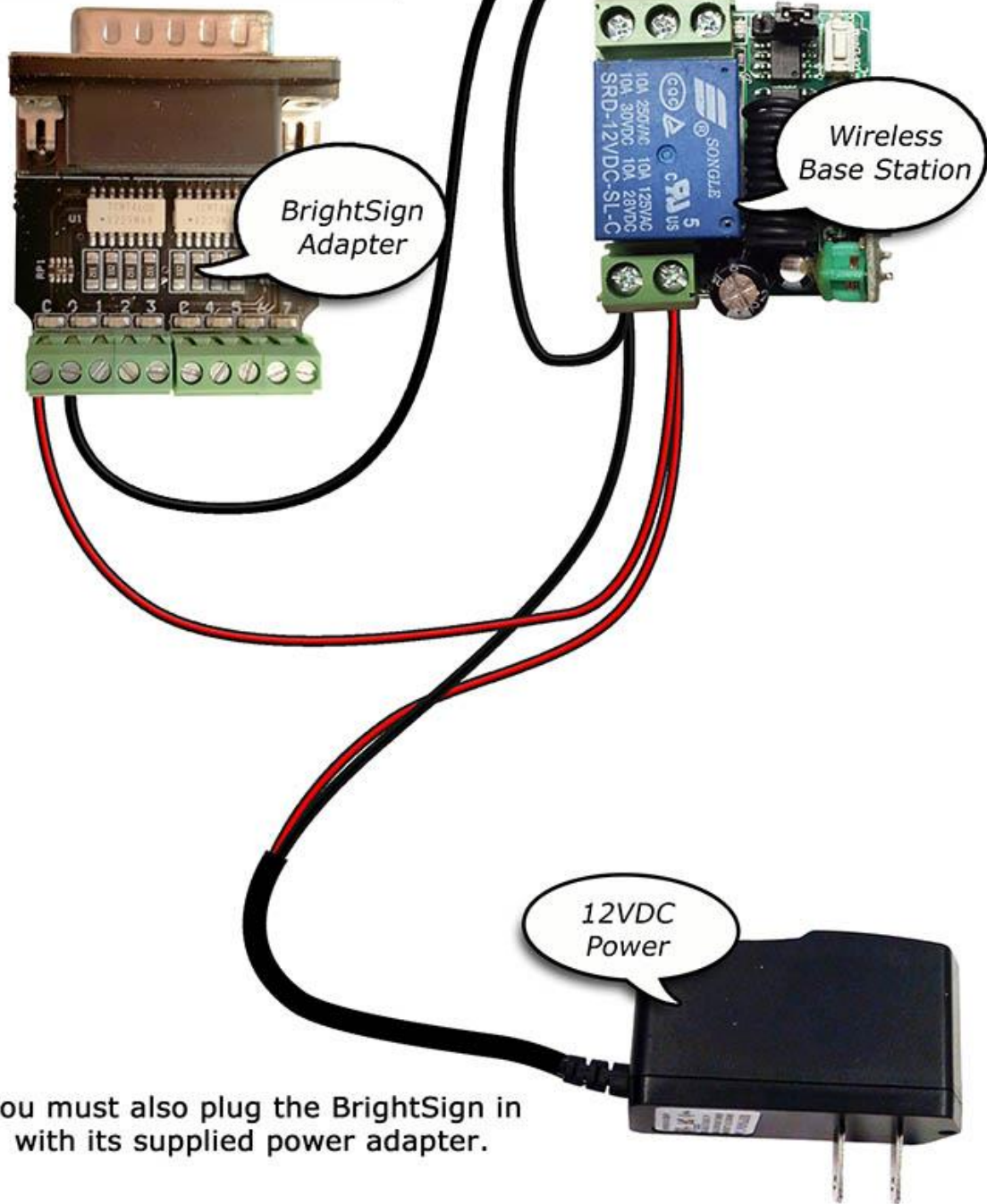


**Hand Trigger or Step Mat**

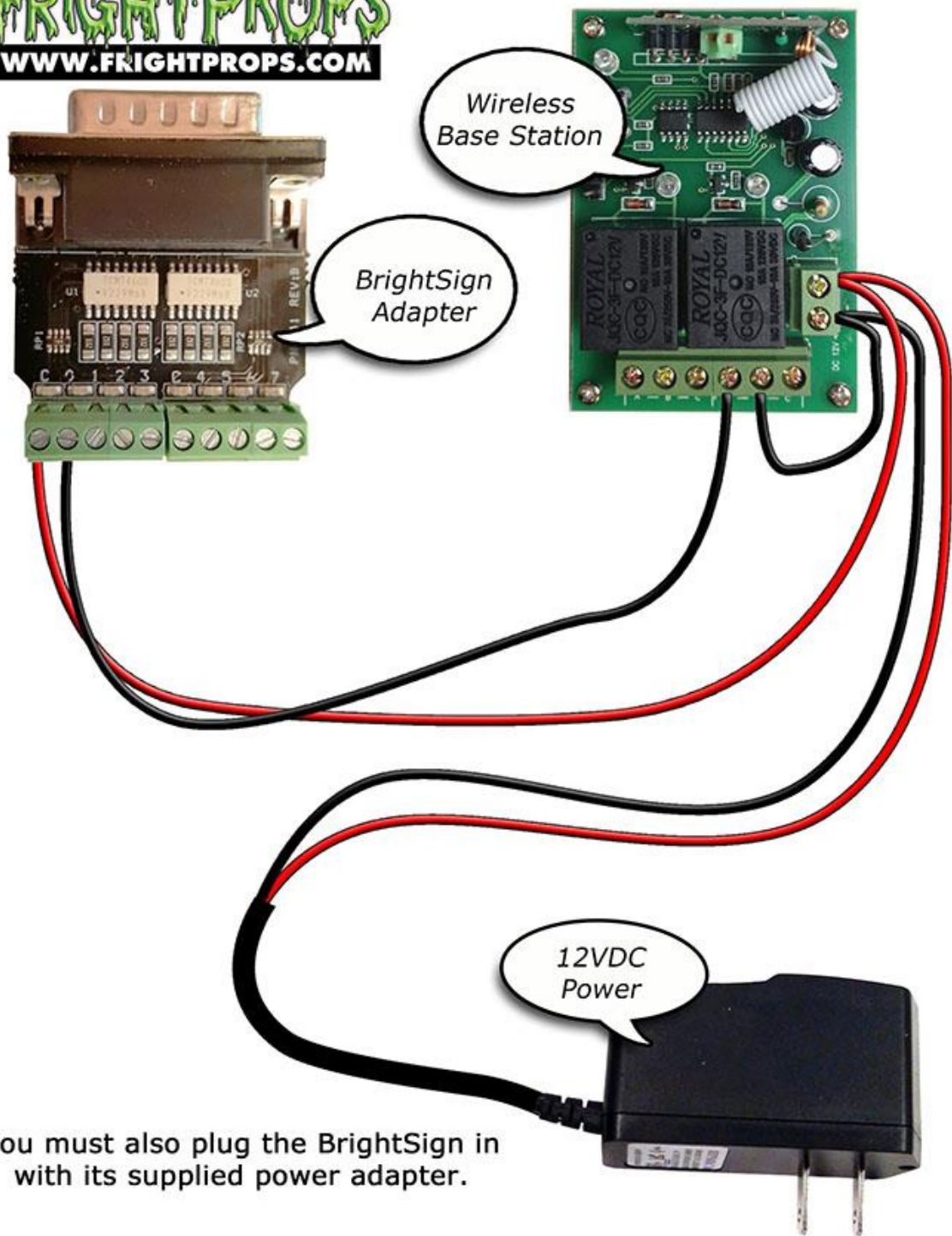


You must also plug the BrightSign in with its supplied power adapter.

**Wireless Trigger (1-Relay)**

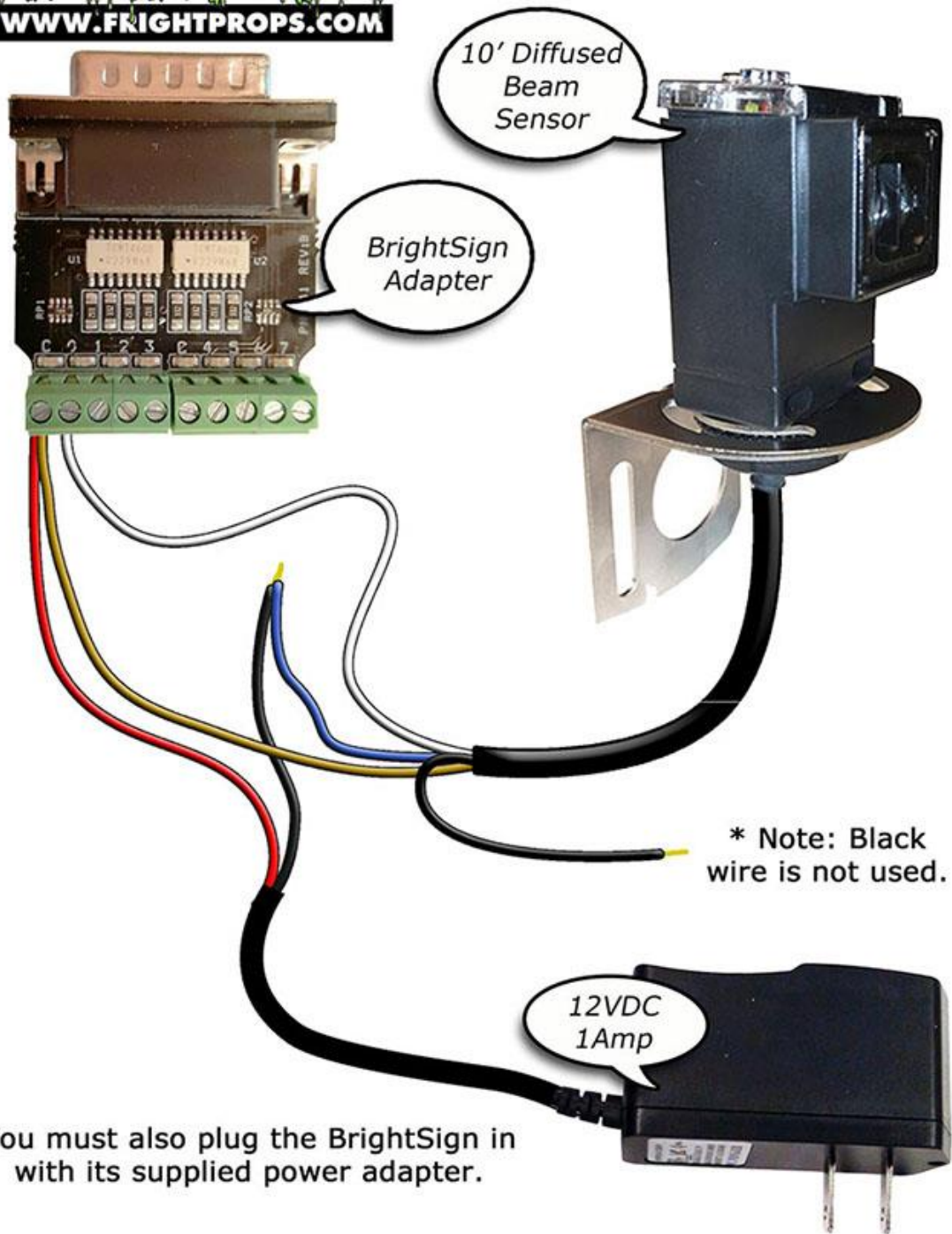


**Wireless Trigger (4-Relay)**



You must also plug the BrightSign in with its supplied power adapter.

### 10 Foot Diffused Beam Sensor



**Multiple Trigger Examples**

