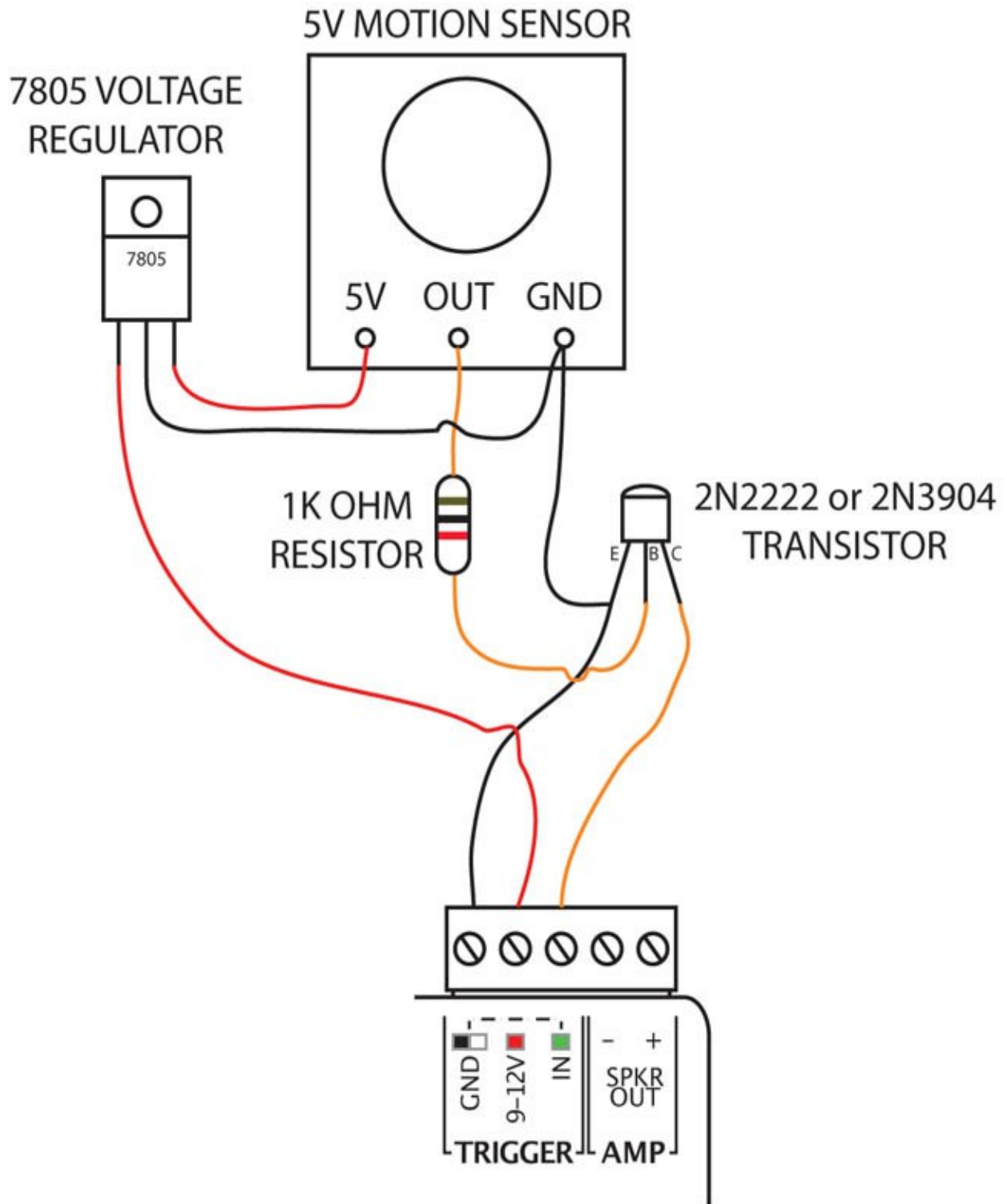
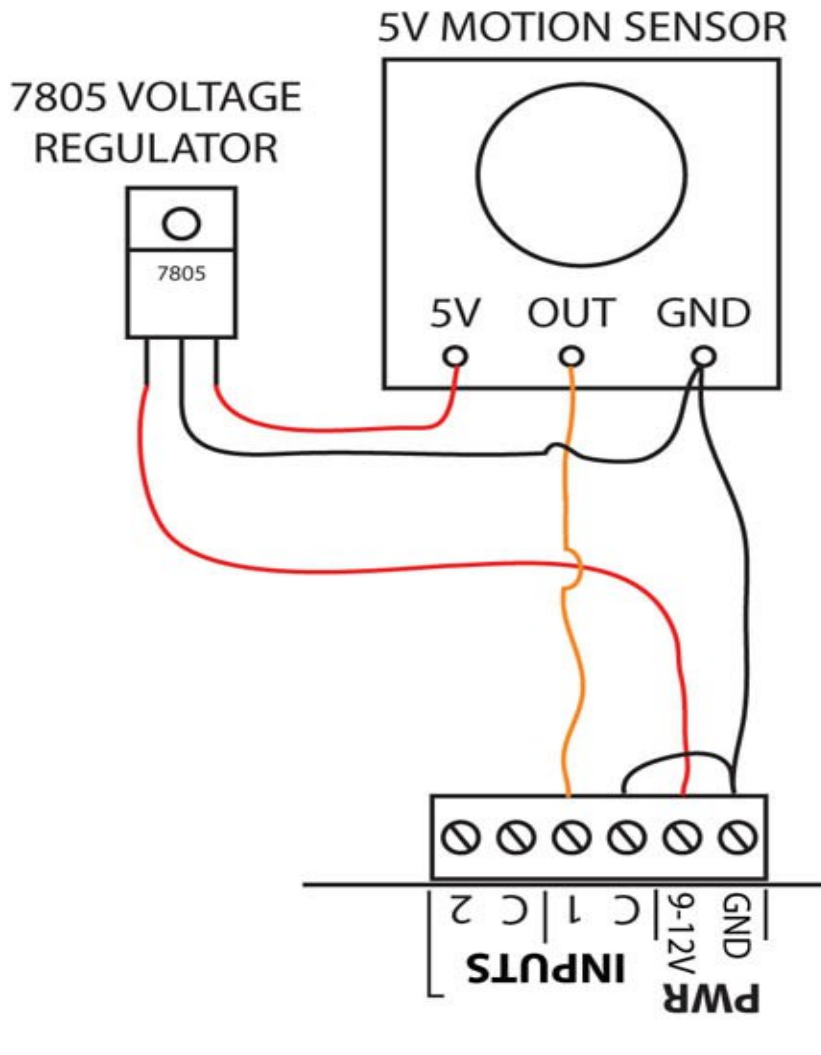


CIRCUIT FOR CONTROLLERS WITHOUT "C" TERMINAL (PICOBOO / PICOFX)



CIRCUIT FOR CONTROLLERS WITH "C" TERMINAL (BOOBOX 4 / 8 / BOOTUNES)



| PARTS CAN BOUGHT FROM DIGIKEY.COM | |
|-----------------------------------|--------------|
| DESCRIPTION | PART# |
| 7805 VOLTAGE REGULATOR | L7805CV |
| 1K OHM RESISTOR | CFR-25JB-1R0 |
| 2N2222 TRANSISTOR | P2N2222AG |